

DATA SHEET

INDUSTRIAL DUMP GUNS

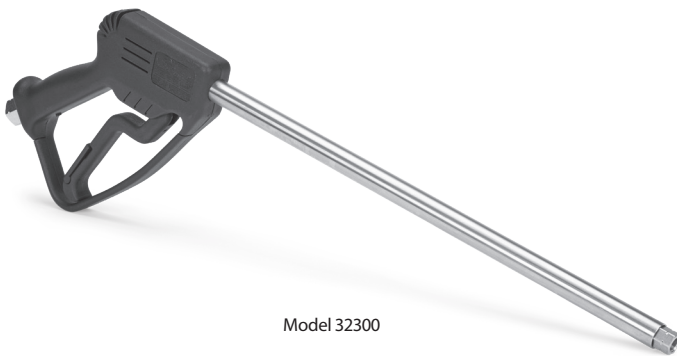


Brass Gun/Steel 15" Lance 32300

Model:

Brass Gun/Steel 39" Lance 32301

Model:



Model 32300

FEATURES

- Eliminates the need for regulator unloader valves, keeping system costs down.
- Directs flow to outer low-pressure lance when the trigger is released, eliminating pressure spikes to the pump.
- Acts as a weep gun to prevent freezing.
- Heavy-duty, durable, stainless steel lances and internal wear parts offer long life.
- A pressure relief or pop-off valve is required.

COMMON

SPECIFICATIONS

	U.S.	Metric
Maximum Flow	10 gpm	38 lpm
Maximum Pressure	3000 psi	207 bar
Maximum Temperature	140° F	60° C
Inlet Port	3/8" NPT(F)	3/8" NPT(F)
Discharge Port (Gun)	1/8" NPT(F)	1/8" NPT(F)
Weight		
32300	2.69 lbs.	1.28 kg
32301	6.81 lbs.	3.24 kg
Dimensions		
32798 (Lance Only)	15"	381 mm
33798 (Lance Only)	39"	990 mm
32300 (Gun and Lance)	25"	635 mm
32301 (Gun and Lance)	49"	1244 mm

SELECTION

Select a gun to match your system flow and pressure requirements, temperature and function being performed. The dump gun is designed to operate without a regulating or unloading device to help prevent damage to the pump.

INSTALLATION

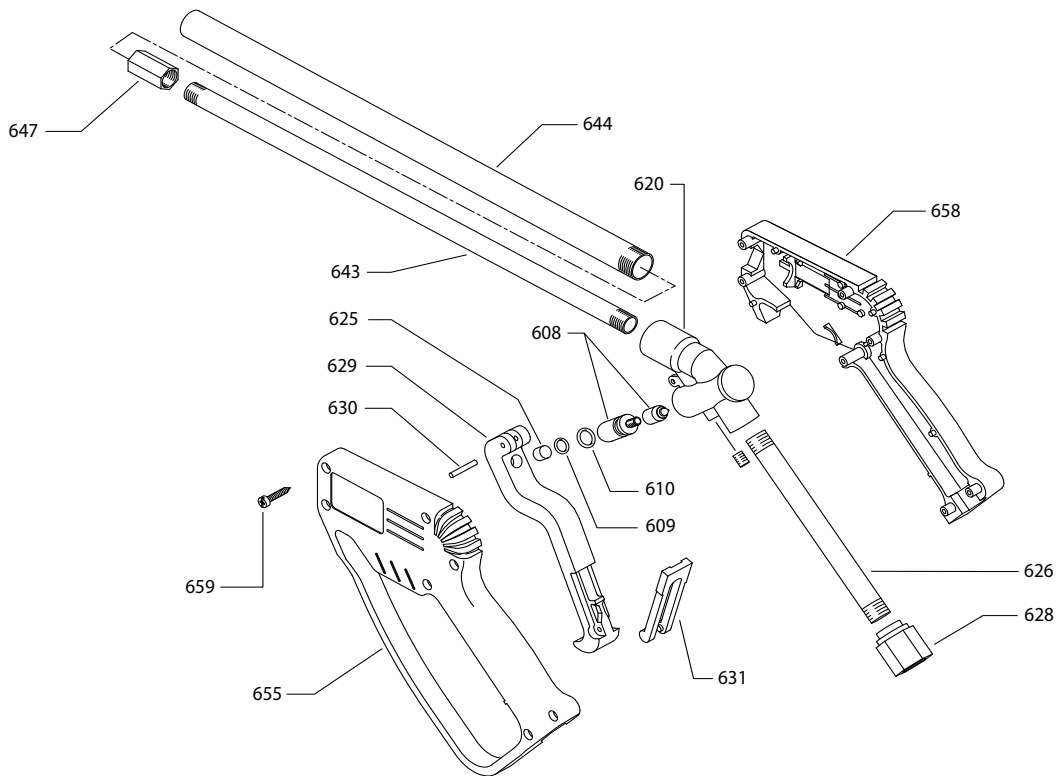
For safety, the dump gun should be connected to a properly-sized and pressure rated hose. For optimum performance, check the Hose-Friction-Loss Chart on line at www.catpumps.com/literature-table/reference-documents.

Note: It is recommended not to exceed 100 feet of high-pressure hose.

OPERATION

Dual lances are designed with a high-pressure lance in the center to hold the high-pressure nozzle and an outer low-pressure lance to contain and direct the liquid during periods when the gun is not triggered, but the system is running (by-pass). This unique by-pass system prevents spikes to the pump and offers freeze protection in cold climates.

EXPLODED VIEW



PARTS LIST

ITEM	PN	MATL	DESCRIPTION	QTY
608	—	S	Piston	1
609	—	NBR	O-Ring, Piston	1
610	—	NBR	O-Ring, Piston	1
620	—	BB	Body, w/Set Screw	1
625	—	S	Striker, Trigger	1
626	32792	ZP	Pipe, Inlet (5" x 1/4")	1
628	32793	BB	Fitting, Inlet [3/8" NPT(F)]	1
629	—	PVDF	Trigger, Black	1
630	—	SSS	Pin, Trigger	1
631	—	PVDF	Latch, Safety, Black	1
643	—	S	Lance, Hi-Pressure (15" x 1/8")	1
	—	S	Lance, Hi-Pressure (39" x M12)	1
644	—	S	Lance, Lo-Pressure (15" x M18)	1
	—	S	Lance, Lo-Pressure (39" x M18)	1

ITEM	PN	MATL	DESCRIPTION	QTY
647	—	S	Holder, Nozzle [1/8" NPT(F) x 1/8" NPT(F)]	1
655	—	PVDF	Handle, Gun, Left	1
658	—	PVDF	Handle, Gun, Right	1
659	—	STZP	Screw, Self Threading (M3.5 x 18)	7
666	32798	S	<i>Assembly, Lance (15") (Includes: 643, 644, 647)</i>	1
	33798	S	<i>Assembly, Lance (39") (Includes: 643, 644, 647)</i>	1
667	32765	—	<i>Assembly, Trigger (Includes: 625, 629, 630, 631)</i>	1
668	32763	—	<i>Kit, Repair (Includes: 608, 609, 610)</i>	1

Italics are optional items.

MATERIAL CODES: (Not Part of Part Number): BB=Brass
 NBR=Medium Nitrile (Buna-N) PVDF=Pure Polyvinylidene Fluoride
 S=304SS SSS=416SS STZP=Steel, Zinc Plated ZP=Zinc Plated

SKIN PUNCTURE HAZARD

Do not allow spray to contact any part of the body or animals. Pumped liquids under high pressure can pierce skin and underlying tissue or can deflect debris leading to serious personal injury or death.

1. Relieve all line pressure in the inlet line to the pump and discharge line from the pump before performing any maintenance on the gun.
2. When high pressure gun is not in use, set safety trigger lock (safety latch) to avoid accidental high pressure operation and personal injury or property damage.

⚠ CAUTIONS AND WARNINGS

All High-Pressure Systems require a primary pressure regulating device (i.e. regulator, unloader) and a secondary pressure relief device (i.e. pop-off valve, relief valve). Failure to install such relief devices could result in personal injury or damage to pump or property. Cat Pumps does not assume any liability or responsibility for the operation of a customer's high-pressure system.

Read all CAUTIONS and WARNINGS before commencing service or operation of any high-pressure system. The CAUTIONS and WARNINGS are included in each Service Manual and with each Accessory Data sheet. CAUTIONS and WARNINGS can also be viewed online at www.catpumps.com/dynamic-literature/cautions-and-warnings or can be requested directly from Cat Pumps.

WARRANTY

View the Limited Warranty on-line at www.catpumps.com/warranty.

TROUBLESHOOTING

Loss of pressure	<ul style="list-style-type: none"> • Foreign material trapped between valve and seat. • Valves show cut or grooves. Replace as needed.
Pop-off valve engages	<ul style="list-style-type: none"> • Lance or nozzle plugged. Clean and resume operation.